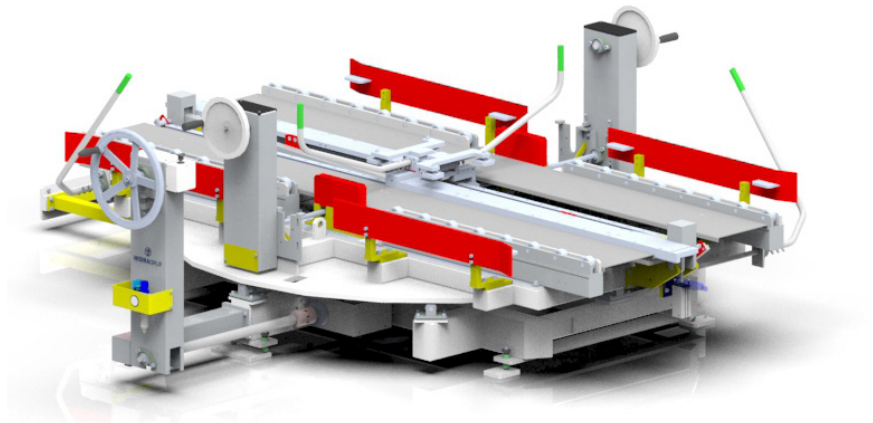




HIDRAGRUP

Powered by passion



PERIPHERAL

TOOL CHANGE ROTARY TABLE.

Main Characteristics.

Dimensions.	4350 x 3000 x 1100 mm.
Working area.	1500 x 1200 mm / 1200 x 1200 mm.
Nominal work height.	500 mm \pm 15 mm.
Max tool weight.	3000 Kg.

Capabilities.

Equipped with turning system and moving of tools controlled manually by wheels.

Equipped security system to prevent the tool from accidentally falling from it.

Optional – compatible with Fixed parking locations.

Additional safety systems.

Safety lock used in ball change with pre-charge.

Mechanical safety lock can be mounted in the press actuated by the rotary table.